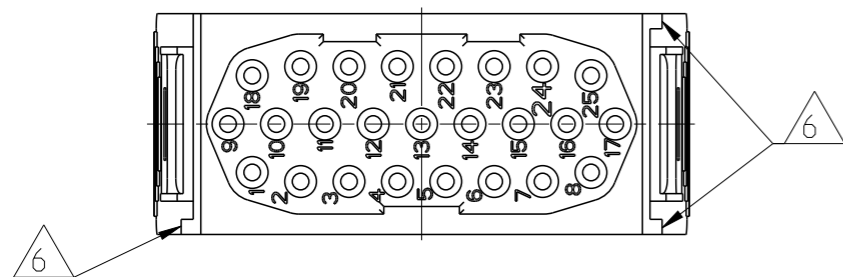


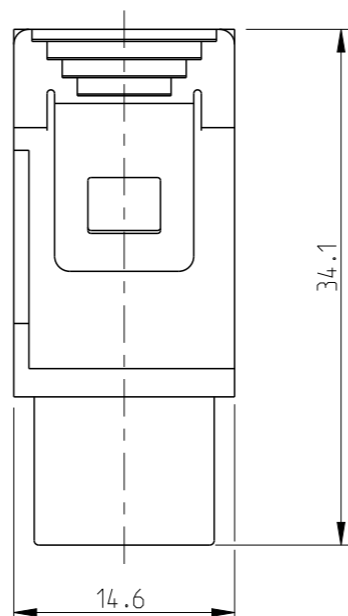
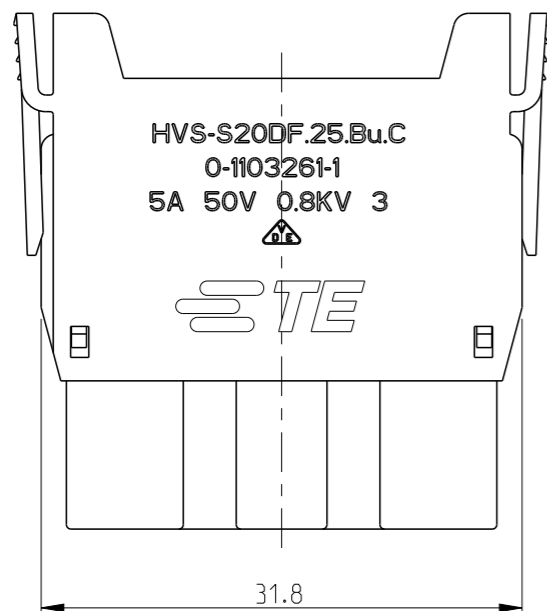
LOC	DIST	REVISIONS				
P	LTR	DESCRIPTION	DATE	DWN	APVD	
	C	ECR-15-007656	06JUN2015	GSK	JB	

PN 0-1 As Shown

Contact arrangement view from connecting side



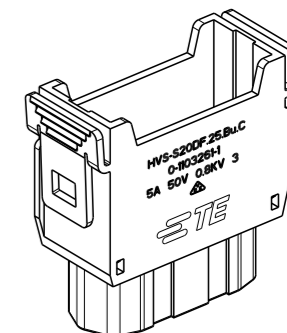
Lateral Print



NOTES

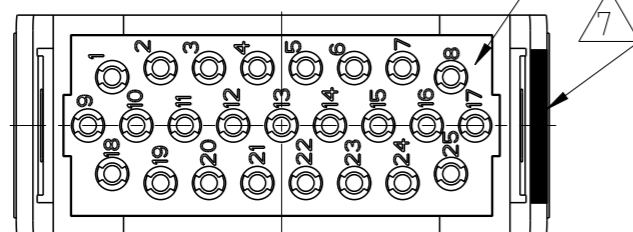
- SUITABLE CRIMP CONTACTS: SERIES S20DF
CATALOG: 889745
OUTER DIMENSIONS OF INSULATION: MAX. Ø1.6mm
- SUITABLE MODULE FIXING FRAME: SERIES HVS SIZE 3 TO 8
CUSTOMER DRAWING: 1103250
- SUITABLE INSERTION TOOL:
CUSTOMER DRAWING: 1102855
- SUITABLE EXTRACTION TOOL:
CUSTOMER DRAWING: 1102855
- STANDARDS:
DIN EN 61984; DIN EN 60664-1
- POLARIZATION RIPS
- MARKING OF POLARIZATION ACCORDING TO MARKING OF MODULE FRAME
- PACKAGING:
10 SETS IN A CARTON, PRE-MOUNTED

PN 0-1 As Shown



SCALE 1:1

Contact arrangement view from termination side



QTY.	DESCRIPTION	MATERIAL	COLOR	NOTE	ITEM
1	FEMALE INSERT	PBT-GF10	LIGHT GREY	HVS-S20DF.25.BU.C	2
1	CONTACT INSERT	PBT-GF15	LIGHT GREY	HVS-S20DF.25	1

HVS-S20DF.25.BU.C

THIS DRAWING IS A CONTROLLED DOCUMENT.		DWN 20.02.2006 SCHNEIDER	TE Connectivity		
DIMENSIONS: mm		CHK 20.02.2006 A.GAST			
TOLERANCES UNLESS OTHERWISE SPECIFIED: ISO 8075 DIN ISO 2768 mH-E DIN 16901-120		APVD 20.07.2005 T.SCHNURPFIL	NAME FEMALE INSERT ASSY HVS-S20DF-25.BU.C		
0 PLC ± 1 PLC ± 2 PLC ± 3 PLC ± 4 PLC ± ANGLES ±		PRODUCT SPEC 108-74079	SIZE A3	CAGE CODE 00779	DRAWING NO C-1103261
MATERIAL		APPLICATION SPEC 114-74081	RESTRICTED TO		
FINISH		WEIGHT	SCALE 2:1		
		CUSTOMER DRAWING	SHEET 1 OF 1 REV C		